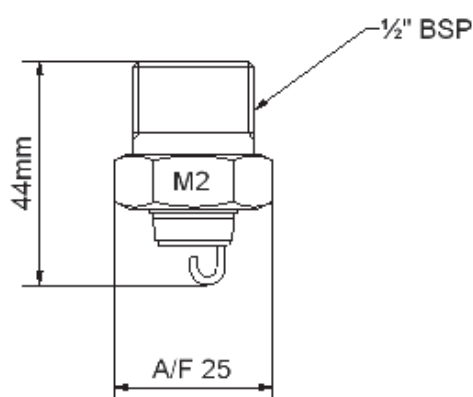
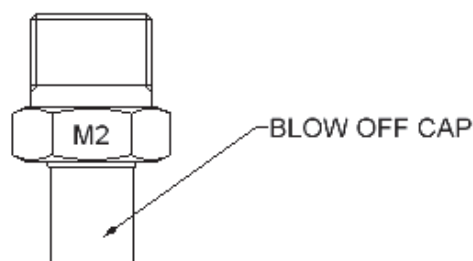


M2

WATER MIST NOZZLE

K-2, LOW PRESSURE, NON-AUTOMATIC



Technical Specification:

K Factor:	2 (metric)
Spray angle	60°
Droplet Size:	See table
Material Nozzle:	Brass with NiSn plating
Material Deflector:	Stainless Steel 316
Material Filter:	Stainless Steel 316
Material Blow off Cap:	SS 304 with PTFE bush
Weight:	77g
Thread:	1/2" BSPT
Working Pressure:	3.5 - 16 Bar
Extinguishing Agent:	Fresh water, Seawater or Foam enhanced water.

Water Droplet Sizes:

BAR	D _{V90} µm	D _{V50} µm	D _{V10} µm
3	268	163	66
7	211	116	43
12	177	103	37

Description

The M2 Nozzles are water mist nozzles for protection of local applications such as in duct systems and engine bilges. The nozzles are suitable for spraying water mist, as well as water mist with foam enhancement. GW Sprinkler recommends the use of Angus Tridol AFFF foam when enhancement is necessary.

The M2 nozzles are fitted with blow-off protection caps. The caps protect the nozzles during shipping, handling and installation, and automatically blow off due to pressure in the pipe work during discharge.

Installation

M2 Nozzles are installed in dry nozzle pipes of non-corrosive materials. A "Y" type strainer with mesh size less than 1.6mm must be fitted to the inlet of the dry sprinkler pipes. Nozzle pipes should be cleaned with compressed air or flushed with clean fresh water prior to the installation of the nozzles.

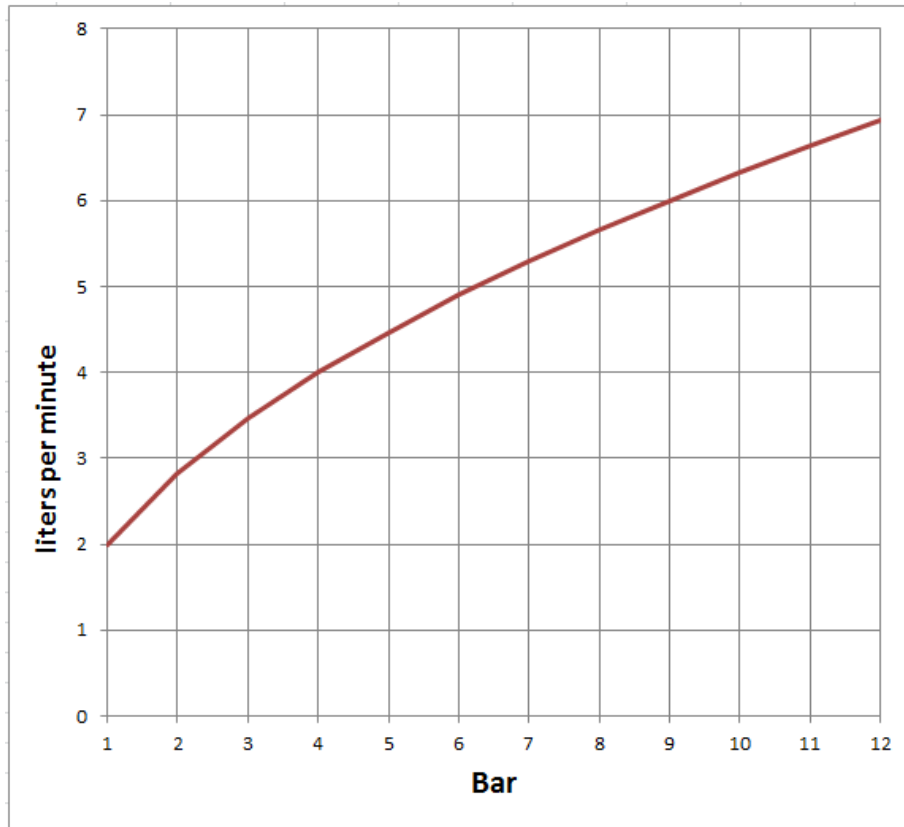
Nozzles may be installed in the horizontal and pendent vertical positions. When installed in ductwork the nozzles should be installed in such a way that the whole ductwork is filled with a direct spray of water mist.

GW M2

WATER MIST NOZZLE

K-2, LOW PRESSURE, NON-AUTOMATIC

Pressure / Flow



GW M2

WATER MIST NOZZLE

K-2, LOW PRESSURE, NON-AUTOMATIC

Spray Graph

