

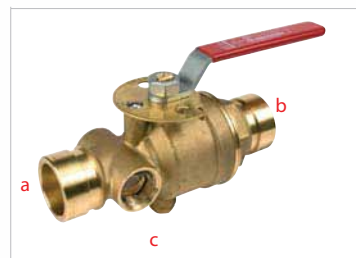
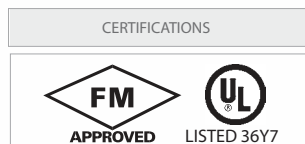
GROOVED X GROOVED

Standard equipment:
GROOVE inlet and outlet, forged
brass body, chrome plated ball
with teflon seats.

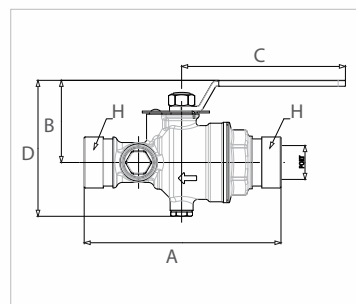
Rated pressure: 300 psi

a/b	1-1/4"					
Orifice	3/8"	7/16"	1/2"	17/32"	5/8"	3/4"
K factor	2.8	4.2	5.6	8.0	11.0	14.0

a/b	2"							
Orifice	7/16"	1/2"	17/32"	5/8"	3/4"	15/16"	1-5/64"	1-9/64"
K factor	4.2	5.6	8.0	11.2	14.0	16.8	22.4	25.2



DIMENSION	C (plug)	PORT	A	B	C	D	H
1-1/4"	1/4"	1-1/16"	6-13/32"	2-43/64"	5-11/32"	4-27/64"	1-1/4" GROOVE"
2"	1/4"	1-12/16"	7-17/32"	4"	6-26/32"	6-21/64"	2" GROOVE"



SIRON
fire protection equipment
1-31 53 750 30 44 www.siron.nl

